

HI-WATT INC.

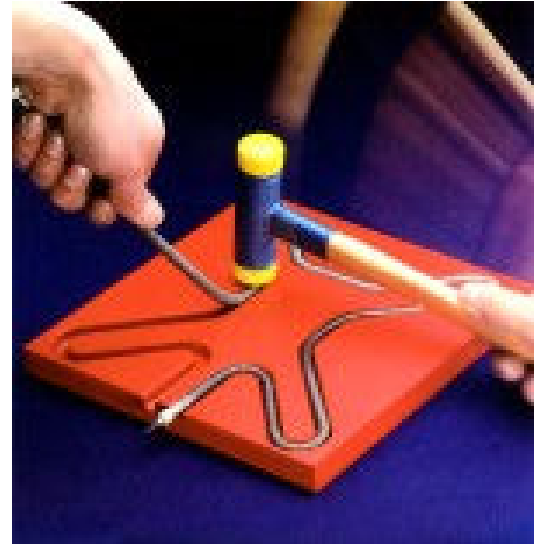
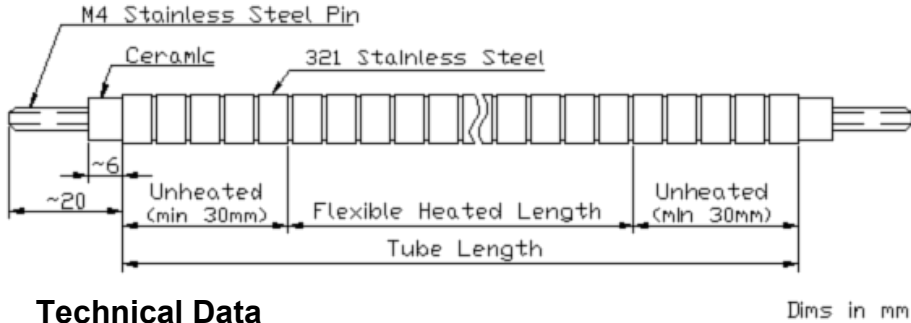
34271 James J
Pompo Fraser, MI.

Email:
sales@hiwattinc.com

Phone : 1-800-321-8007
Fax: 586-415-9265



Hotflex—Tubular Heaters



Technical Data

- 8 mm Dia.
- Min. bending radius: R = 10 mm
- Expansion Factor: See Chart
- Connection:
M 4.0 threaded pins with set of nuts
And washers—stainless steel
- Wattage tolerance : + or - 10%
- High Volt Resistance (cold): 1000 VAC
- Current Leakage (cold): less than 0.5 ma @ 253 VAC
- Insulation resistance (cold): less than 5 Mohm @ 500 VDC
- Max. Sheath Temperature: 700 degrees C
- Dia. Tolerance: + or - 0.1 mm

Expansion Factor

R=10mm	R=12.5mm	R=15 mm	R=15mm+
.944	.968	.972	.985

STOCK LIST

240 Volt 30 mm unheated ends

Length mm (inches)	Watt	Part #
500 (19")	1025	HTFLX500
550 (21")	1145	HTFLX550
600 (23")	1260	HTFLX600
650 (25")	1380	HTFLX650
700 (27")	1495	HTFLX700
750 (29")	1615	HTFLX750
800(31")	1730	HTFLX800
850(33")	1845	HTFLX850

Length mm (inches)	Watt	Part #
900 (35")	1960	HTFLX900
950 (37")	2080	HTFLX950
1000 (39")	2195	HTFLX1000
1050 (41")	2316	HTFLX1050
1100 (43")	2430	HTFLX1100
1150 (45")	2545	HTFLX1150

Call for pricing and additional sizes!!

2014